

Prepared by and Return to: Linn County Secondary Road Department, 1888 County Home Road, Marion, Iowa 52302, (319)892-6400

RESOLUTION # 2021-4-51

ESTABLISH ROAD CLOSURE AND DETOUR FOR PROJECT

WHEREAS: Linn County Project L-SHELLSBURG RD(21), PCC Paving, on Shellsburg Road (E36) from Linn-Benton Road east to the Palo city limits will begin soon.

WHEREAS: this project lies on a marked Farm-to-Market route, and

WHEREAS: a detour must be established to close a marked route for longer than 48 hours, and

WHEREAS: a map of the detour is attached hereto.

NOW, THEREFORE, BE IT RESOLVED: that the Linn County Board of Supervisors hereby authorize and direct the Linn County Engineer to place the appropriate signs to establish the following detour: commencing at the intersection of Shellsburg Road and Linn-Benton Road, head south on Linn-Benton Road 0.7 miles to Yates Road, head east on Yates Road 1.3 miles to Hollenbeck Road, head north on Hollenbeck Road 0.7 miles to the end of the detour. (See attached map)

Signs shall be placed when and as necessary to protect the work and the traveling public in accordance with the Manual on Uniform Traffic Control Devices and Chapter 306 of the Code of Iowa.

Moved by Supervisor Rogers Seconded by Supervisor Walker
that the above resolution be adopted this 24 day of April, 2021 by a vote of 3 aye 0 nay and 0
abstain from voting.

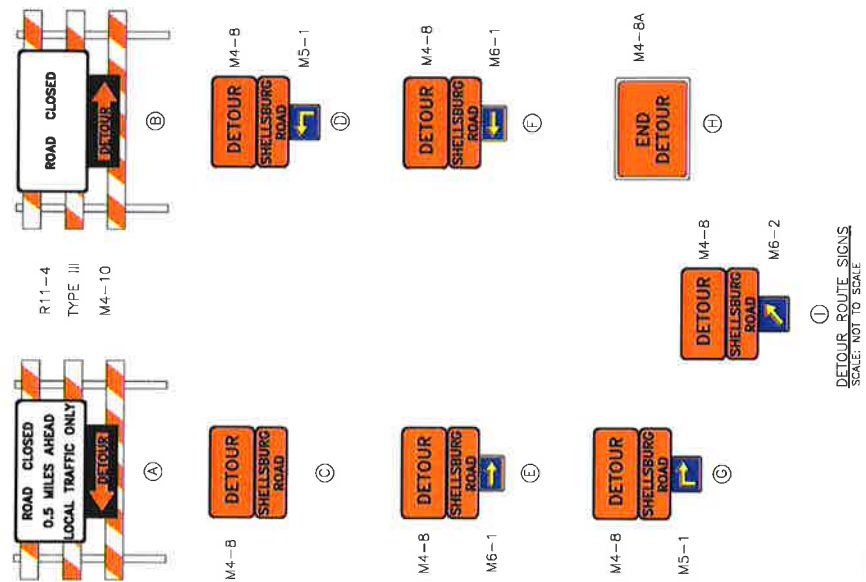
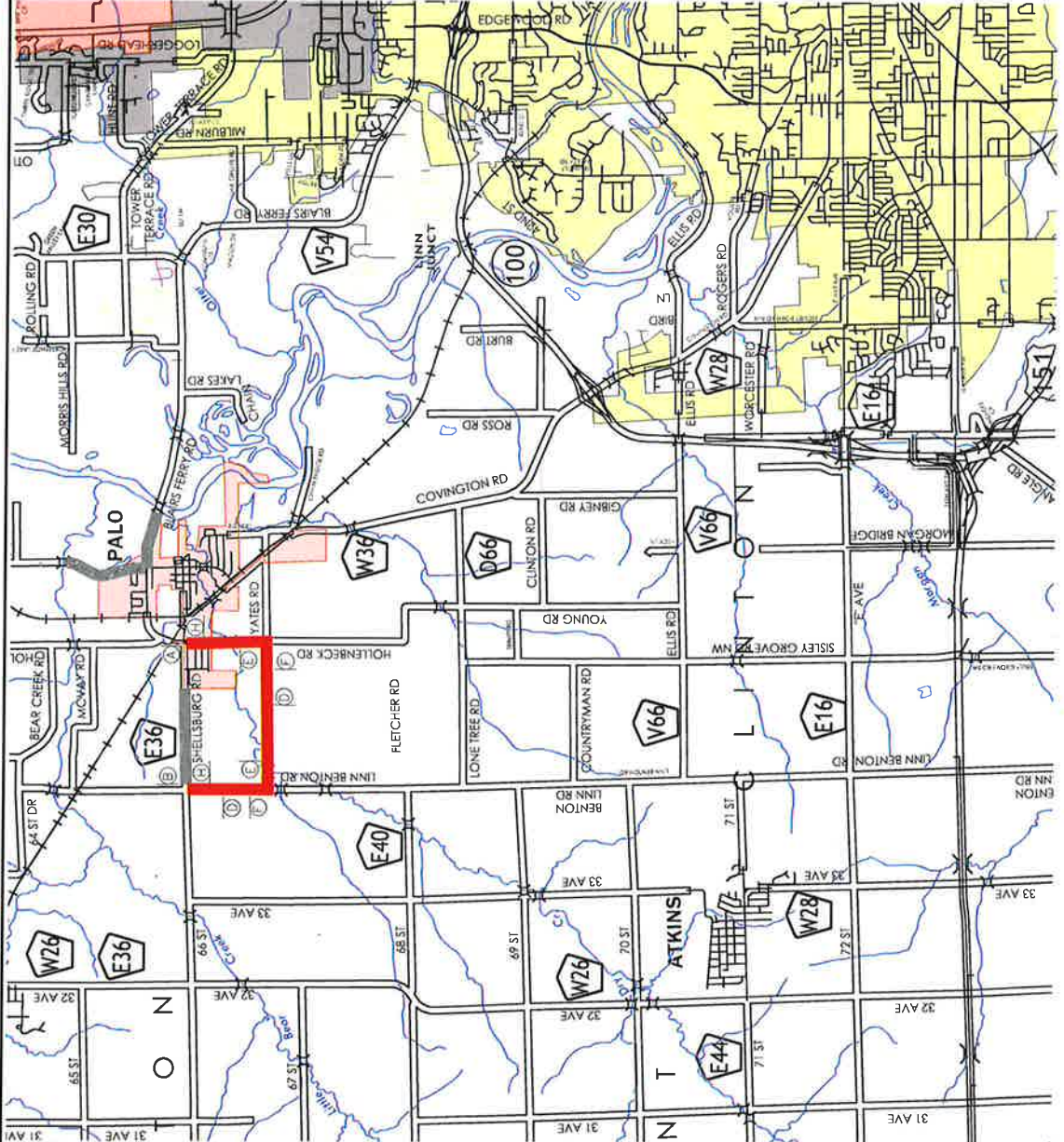
BOARD OF SUPERVISORS
LINN COUNTY, IOWA

Stacey Walk
Chairperson

BO
Vice Chairperson

James J. Zerkow
Supervisor

ATTEST:
Joel Miller by Rebecca Sloop,
Linn County Auditor
Deputy



DETOUR ROUTE SIGNS
SCALE: NOT TO SCALE

KEY
PROJECT LIMITS
DETOUR ROUTE

NOTES
1. THIS SHEET IS FOR REFERENCE ONLY. LINN COUNTY FORCES SHALL PROVIDE ALL LABOR AND MATERIALS REQUIRED FOR DETOUR. CONTRACTOR SHALL BE RESPONSIBLE FOR THE TRAFFIC CONTROL AS NOTED IN THE BID ITEM NOTES.
2. ALL TRAFFIC CONTROL DEVICES, PROCEDURES AND LAYOUTS, INCLUDING TRAFFIC CONTROL SIGNS, SHALL CONFORM TO "MANUAL ON UNIFORM TRAFFIC CONTROL DEVICES FOR STREETS AND HIGHWAYS" AS ADOPTED BY IOWA DOT PER 781 OF THE IOWA ADMINISTRATIVE CODE CHAPTER 120.
3. LINN COUNTY TO APPLY DUST CONTROL ON ROCK SURFACE PORTIONS OF THE DETOUR.